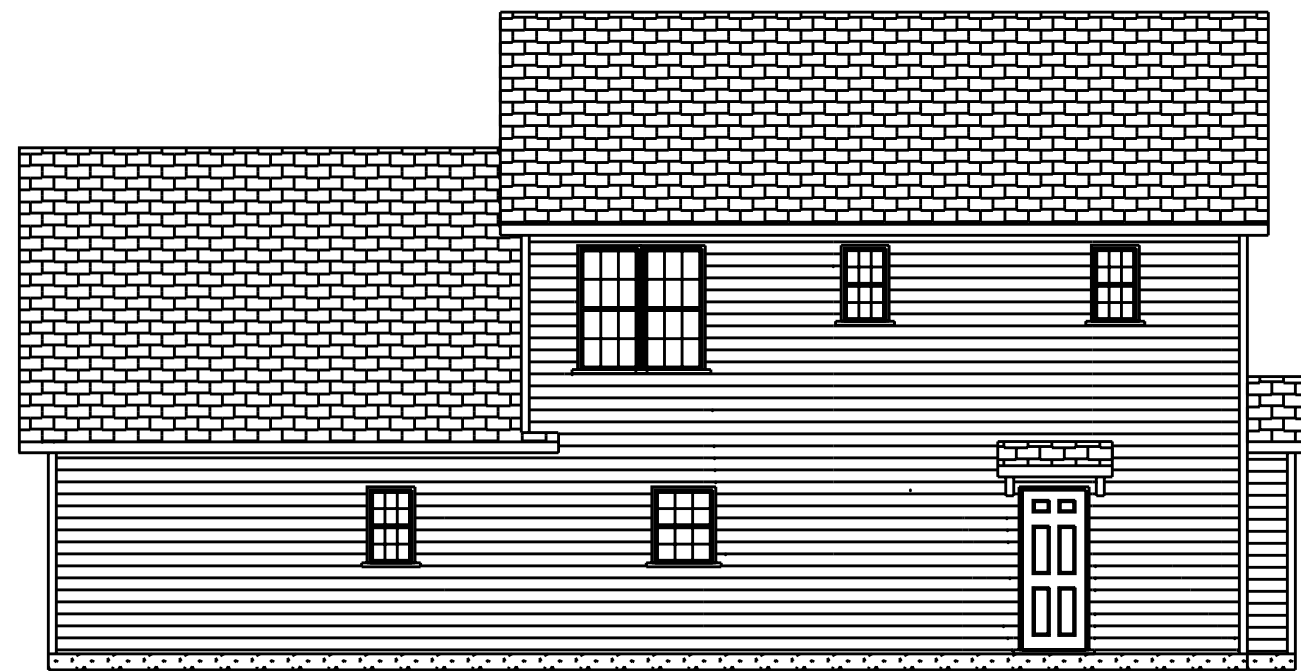




Front Elevation  
Scale: 1/4" = 1'0"



Left Elevation  
Scale: 1/8" = 1'0"



Rear Elevation  
Scale: 1/8" = 1'0"



Right Elevation  
Scale: 1/8" = 1'0"

DATE February 19, 2014

REVISED

DRAWING\*

Elev. A  
Rev. 3

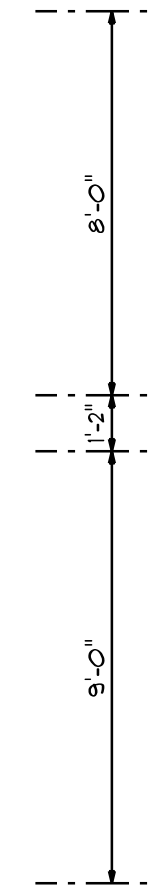
DRAWN BY

APPROVED

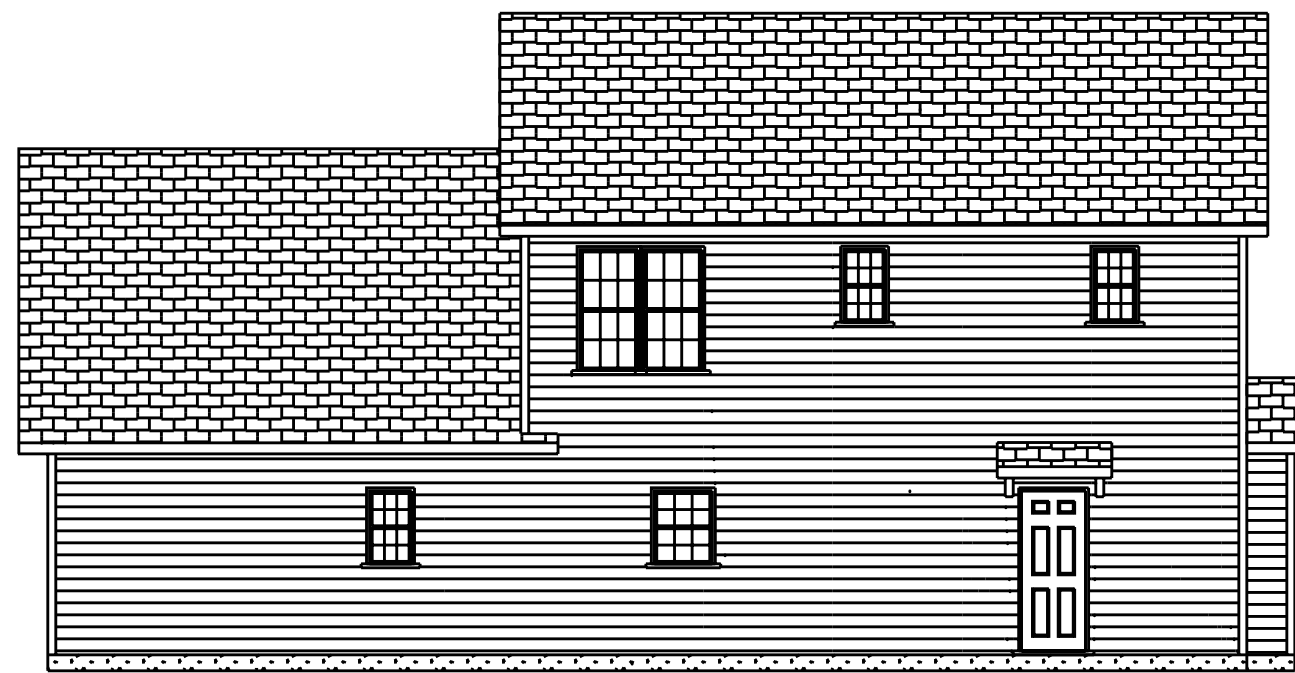
The Landry



Front Elevation  
Scale: 1/4" = 1'0"



Left Elevation  
Scale: 1/8" = 1'0"



Rear Elevation  
Scale: 1/8" = 1'0"



Right Elevation  
Scale: 1/8" = 1'0"

DATE February 19, 2014

REVISED

DRAWING\*

Elev. B  
Rev. 3

DRAWN BY

APPROVED

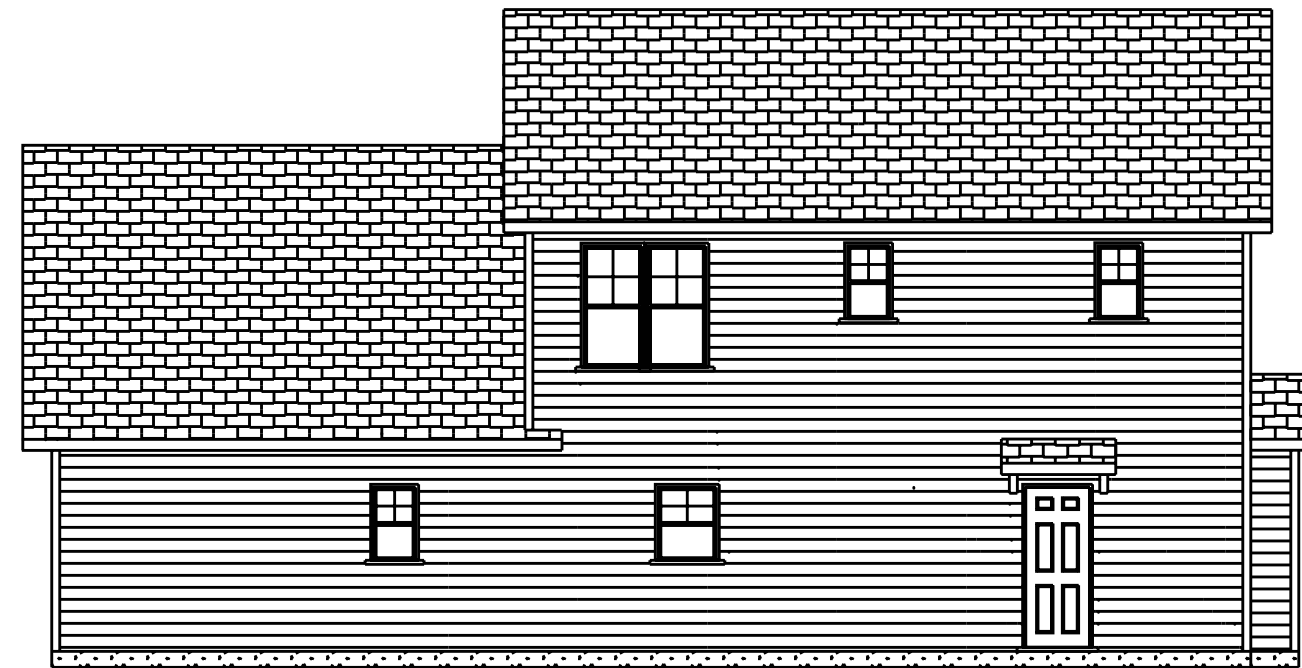
The Landry



Front Elevation  
Scale: 1/4" = 1'0"



Left Elevation  
Scale: 1/8" = 1'0"



Rear Elevation  
Scale: 1/8" = 1'0"



Right Elevation  
Scale: 1/8" = 1'0"

DATE February 19, 2014

REVISED

DRAWING\*

Elev. C  
Rev. 3

DRAWN BY

APPROVED

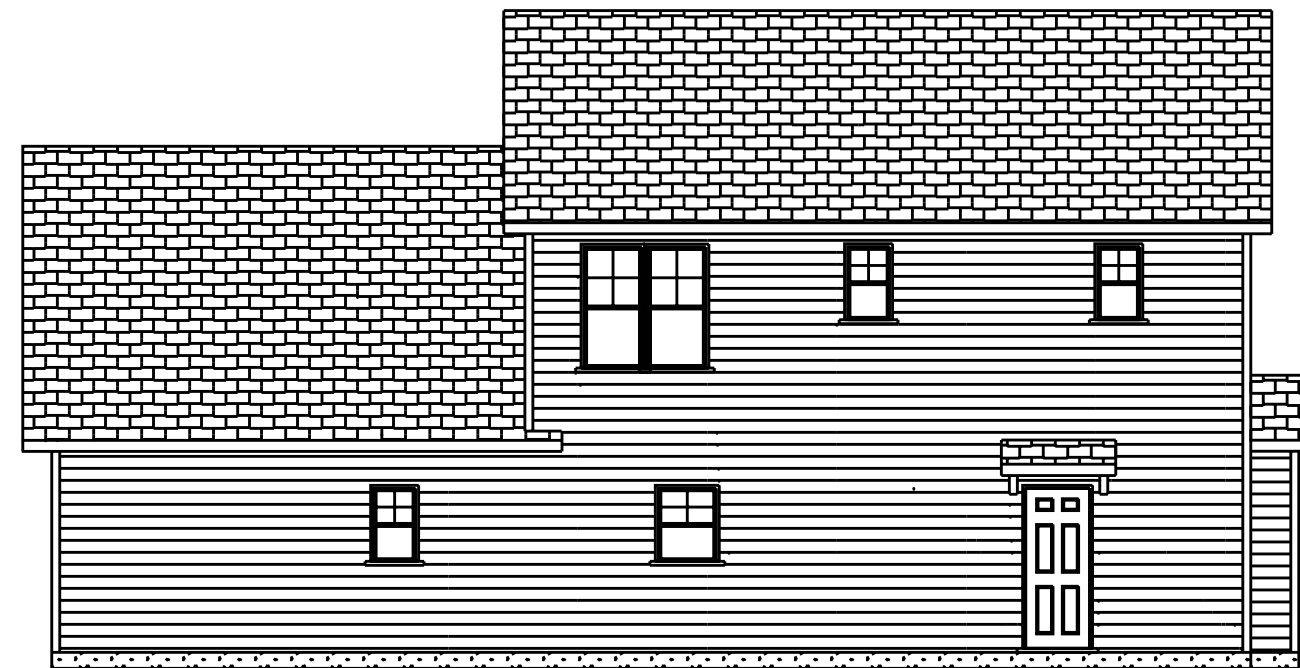
The Landry



Front Elevation  
Scale: 1/4" = 1'0"



Left Elevation  
Scale: 1/8" = 1'0"



Rear Elevation  
Scale: 1/8" = 1'0"



Right Elevation  
Scale: 1/8" = 1'0"

DATE February 19, 2014

REVISED

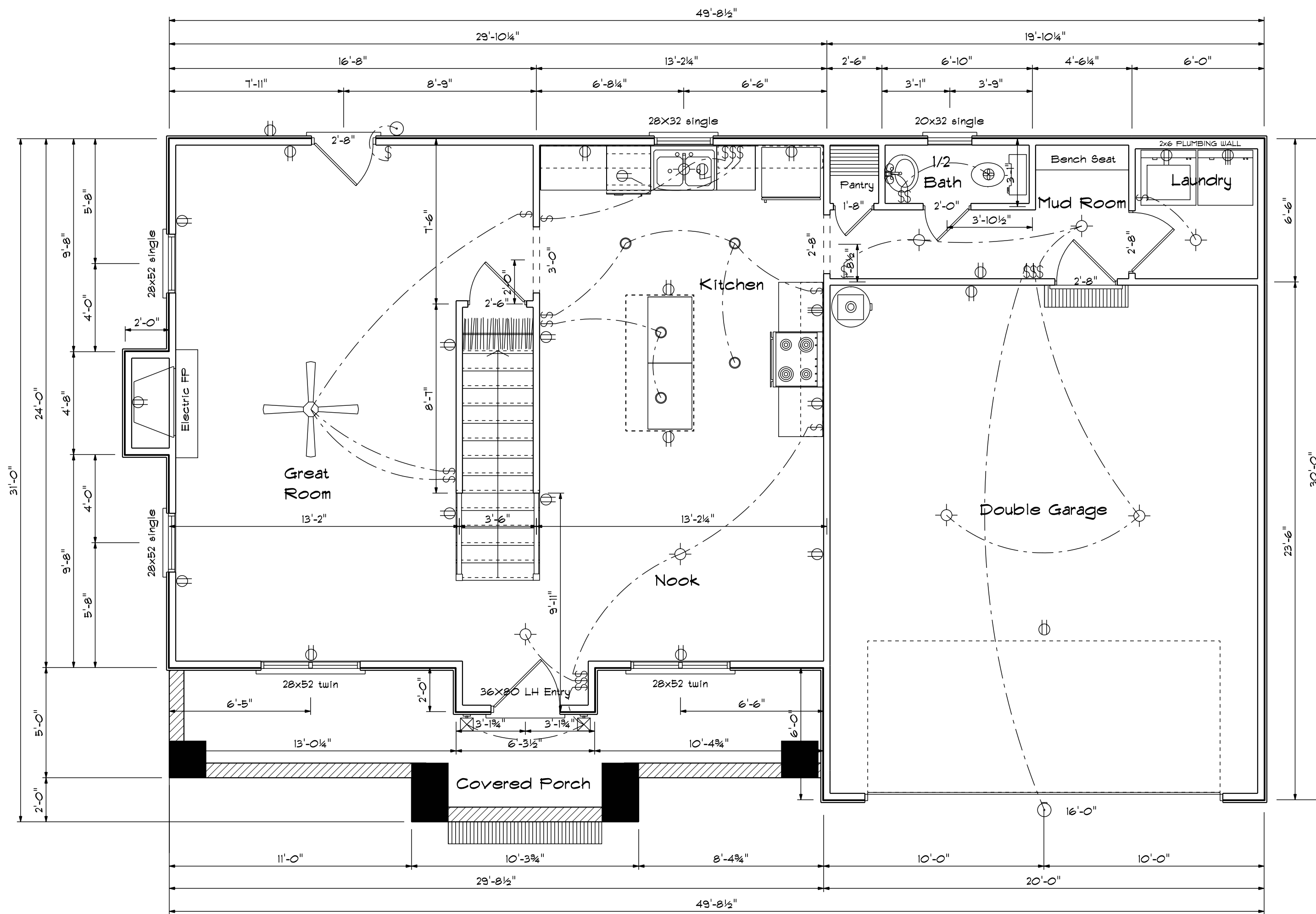
DRAWING\*

Elev. D  
Rev. 3

DRAWN BY

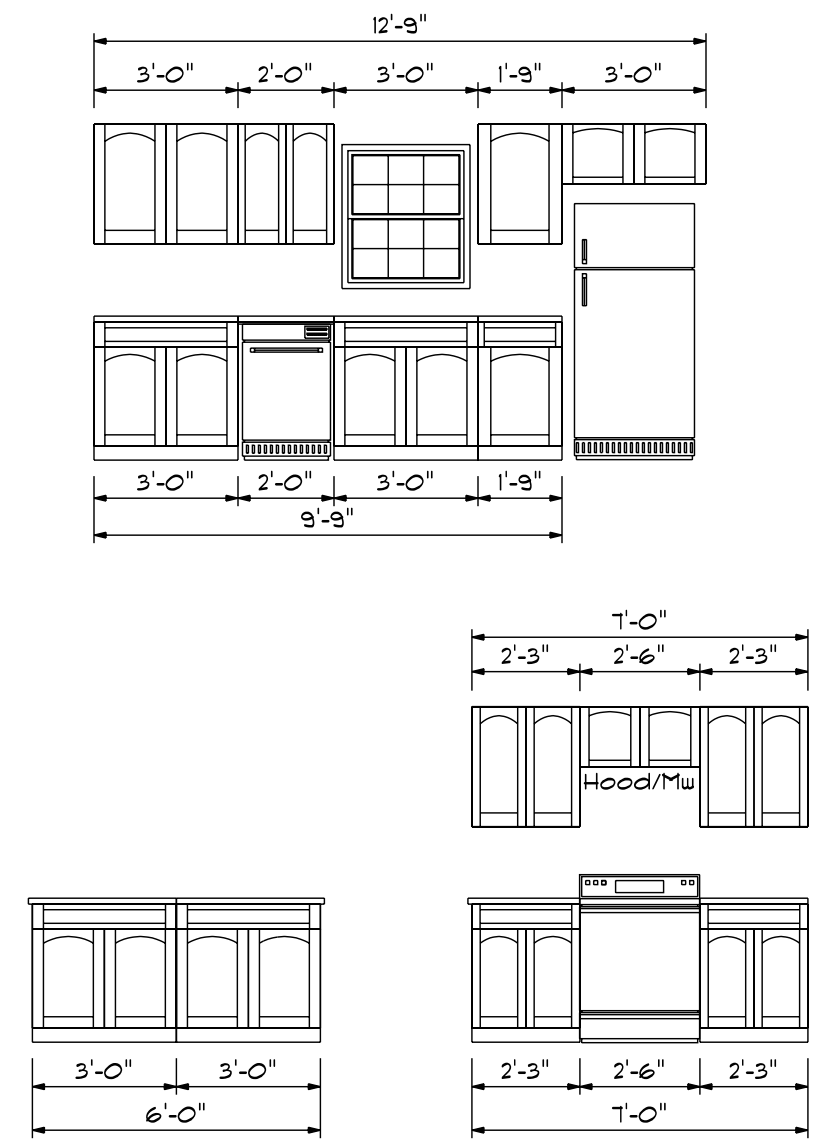
APPROVED

The Landry



First Floor Plan

Cabinet Detail



First Floor Openings Schedule

PRODUCT CODE	SIZE	HINGE DIRECTION	COUNT	R.O. WIDTH
28 Cased Opening	2'-8"	N	1	2'-8"
30 Cased Opening	3'-0"	N	1	3'-0"
28 colonial-MODIFIED	2'-8"	R	1	2'-11"
36x80 LH Entry	3'-0"	L	1	3'-1 1/2"
192X84 - 1 PANEL Garage	16'-0"	U	1	16'-3"
1-8 Door Unit LH	1'-8"	L	1	1'-10"
2-0 Door Unit LH	2'-0"	L	1	2'-2"
2-6 Door Unit RH	2'-6"	R	1	2'-8"
2-8 Door Unit RH	2'-8"	R	2	2'-10"
20x32 single	2'-0" x 3'-2"	N	1	2'-0"
28X32 single	2'-8" x 3'-2"	N	1	2'-8"
28x52 single	2'-8" x 5'-2"	N	2	2'-8"
28x52 twin	4'-6" x 5'-2"	NN	2	4'-6"

Areas

First Floor Heated	875
Second Floor Heated	995
=====	
Total Heated	1870
Garage	468
Front Porch	152

DATE February 16, 2014

REVISED

DRAWING\*

Rev. 3

SCALE: 1/4"

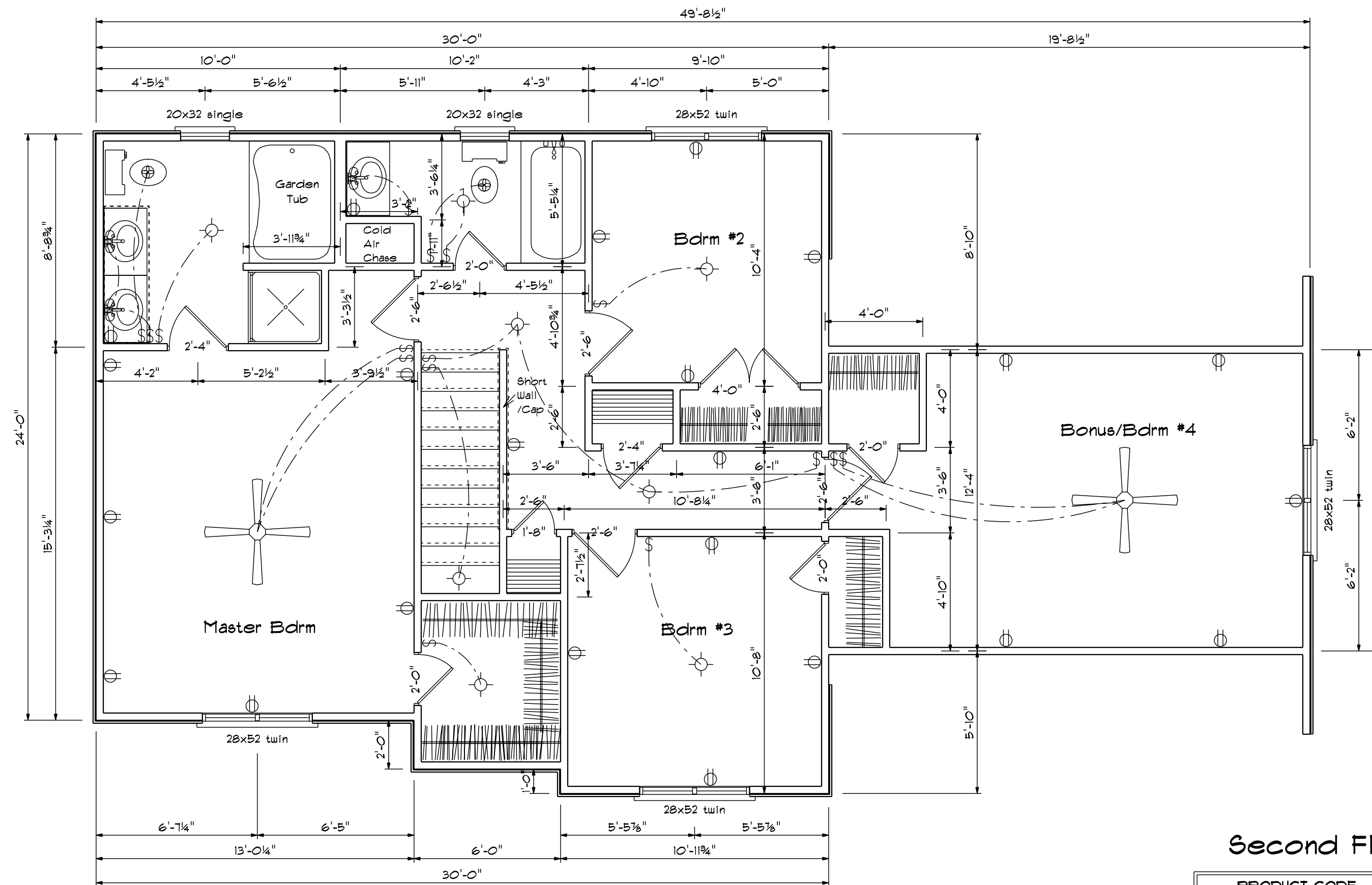
DRAWN BY

APPROVED

The Landry

### Attic Ventilation

1499 Sq.Ft. Attic Area Requires  
9.99 Sq.Ft. Ventilation. Builder  
To Provide Soffit, Ridge And/Or  
Gable Vents Adequate To Meet  
Code Requirements.



Second Floor Plan

### Second Floor Opening Schedule

PRODUCT CODE	SIZE	HINGE DIRECTION	COUNT	R.O. WIDTH
1-8 Door Unit LH	1'-8"	L	1	1'-10"
2-0 Door Unit RH	2'-0"	R	4	2'-2"
2-4 Door Unit LH	2'-4"	L	1	2'-6"
2-4 Door Unit RH	2'-4"	R	1	2'-6"
2-6 Door Unit RH	2'-6"	R	4	2'-8"
4-0 Double Hung Door Unit	4'-0"	LR	1	4'-2"
20x32 single	2'-0" x 3'-2"	N	2	2'-0"
28x52 twin	4'-6" x 5'-2"	NN	4	4'-6"

DATE February 16, 2014

REVISED

DRAWING\*

Rev. 3

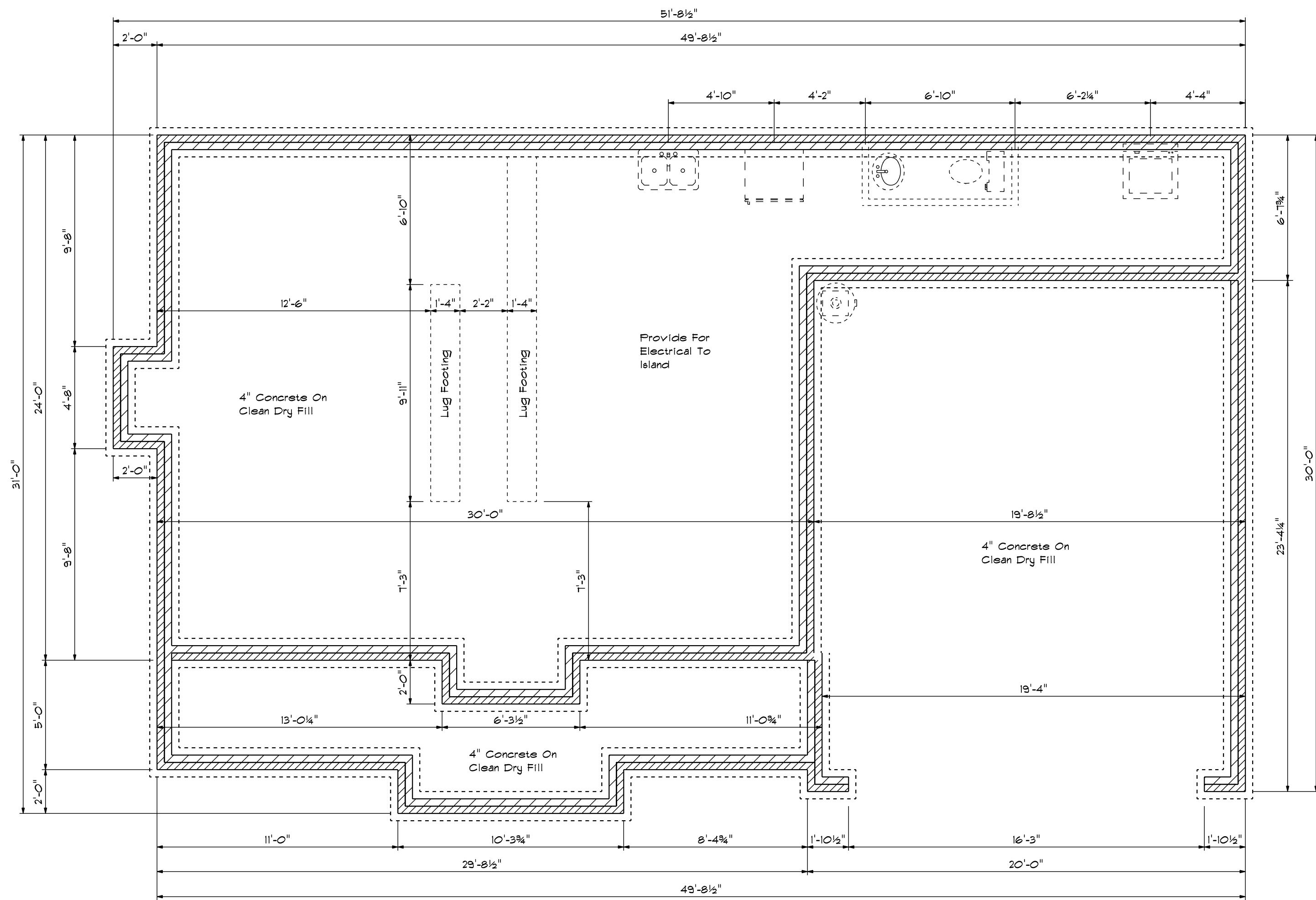
SCALE: 1/4"

DRAWN BY

APPROVED

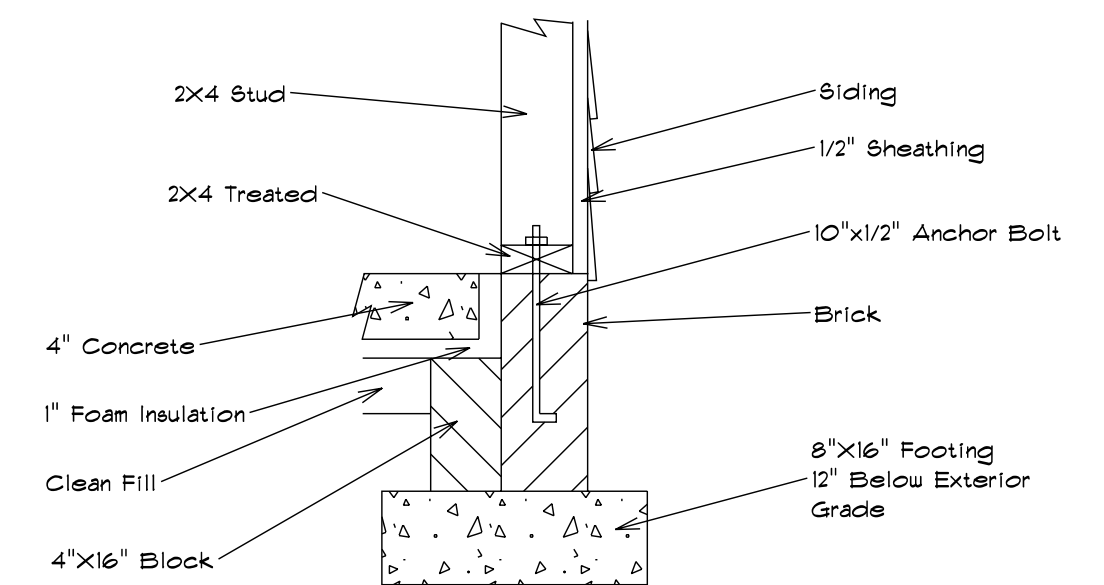
The Landry



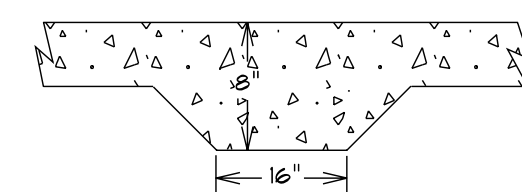


Slab Foundation Plan

Foundation Detail  
Siding



Lug Footing Detail



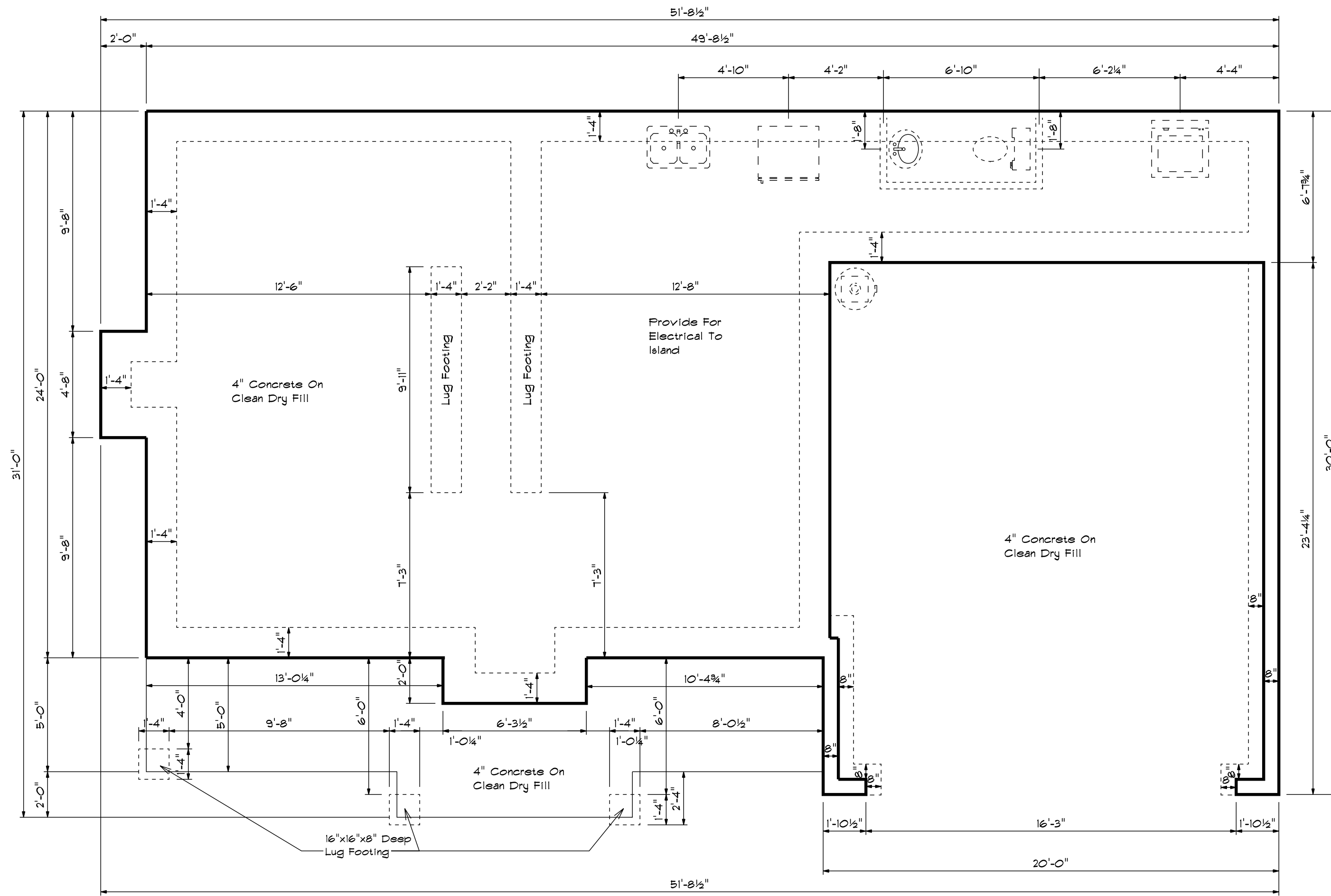
DATE	REVISED	DRAWING*
------	---------	----------

Rev. 3

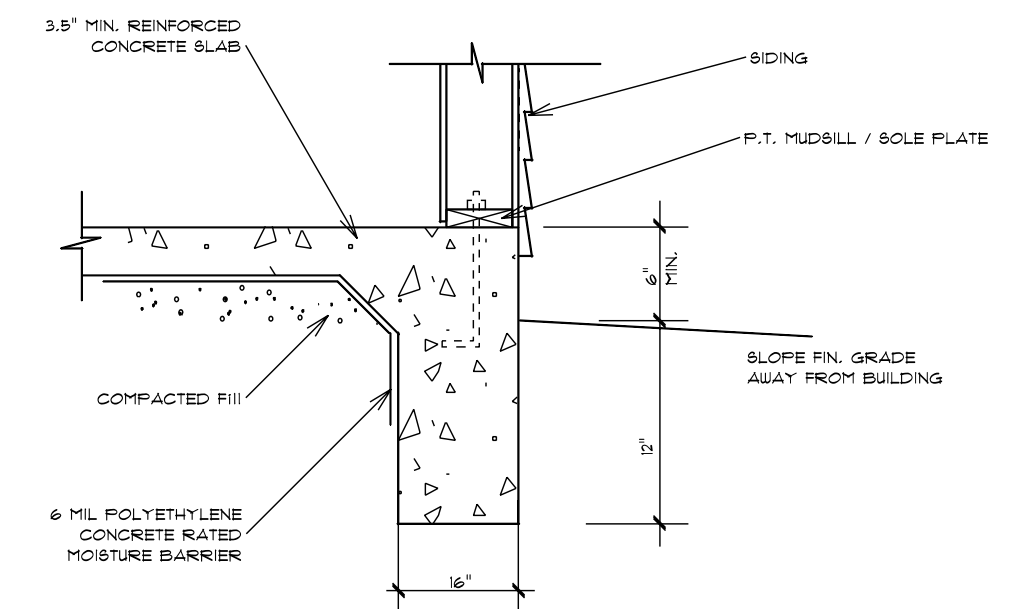
SCALE: 1/4"	DRAWN BY	APPROVED
-------------	----------	----------

The Landry

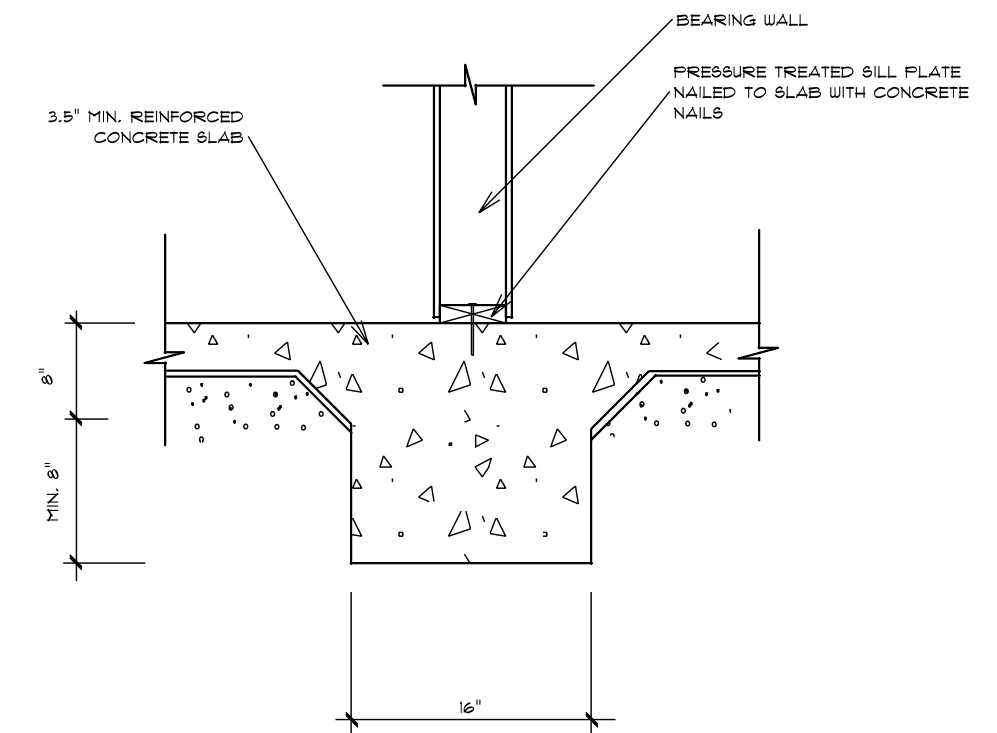




Monolithic Foundation Plan



TURN-DOWN FOOTING DETAIL



INTEGRAL SLAB FOOTING DETAIL AT BEARING WALL

DATE	REVISED	DRAWING*
------	---------	----------

Rev. 3

SCALE: 1/4"	DRAWN BY	APPROVED
-------------	----------	----------

The Landry